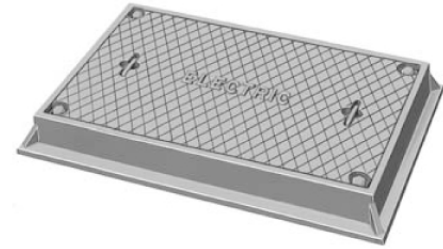
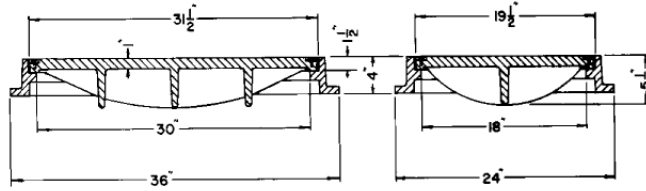


■ Note: When specifying/ordering grates, refer to "Choosing the proper inlet grate" on pages 117-118.
 For a complete listing of FREE OPEN AREAS and WEIR PERIMETERS of all NEENAH grates, refer to pages 306-311.

R-3497-A
Airport Manhole Frame, Lid



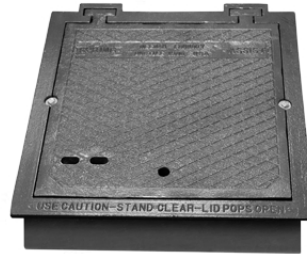
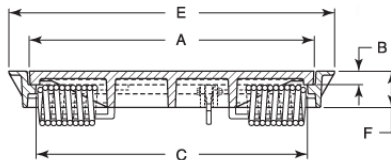
Lids are bolted to frame.

For Built-up Manhole Construction

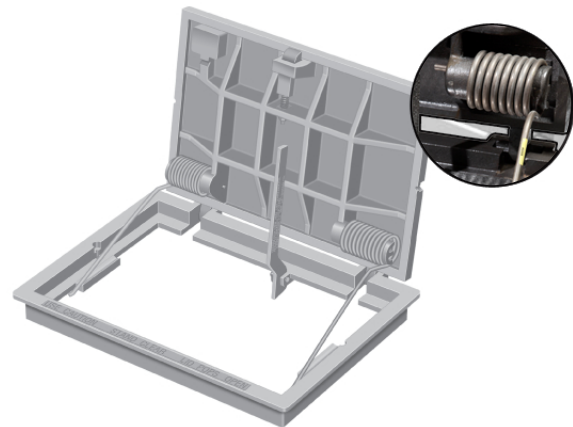
AIRPORT CASTINGS

R-3498 Spring-Assist Hatch Series
Gray Iron Frames with Ductile Iron Lids
Proof Load Tested to 200,000#
Patent #7216459

CATALOG NUMBER	GRATE TYPE	SQ. FT. OPEN	WEIR PERIMETER LINEAL FEET
R-3498-K2GS	A or C	1.5	8.6
R-3498-P2GS	A or C	2.1	10.5
R-3498-R2GS	A or C	3.0	12.8
R-3498-R3GS	A	6.0	19.0



Illustrating R-3498-P2S

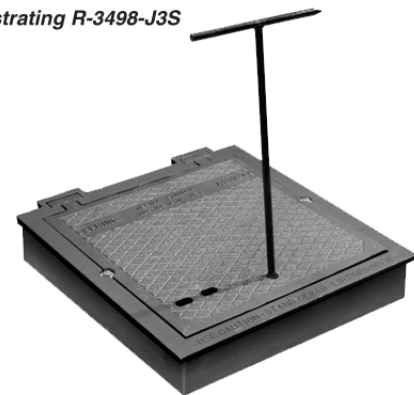


Illustrating R-3498-J3S

Castings strong enough to handle severe loads are inherently heavy. Lifting these heavy lids/grates to gain access to sub-ground utilities has been an issue for maintenance crews. Lifting these heavy covers requires multiple personnel and lifting equipment. With Neenah's Spring-Assist Hatches, a single maintenance worker can quickly open the lid, secure it in the upright position with Neenah's hold-open device and perform the necessary work.

FEATURES UNIQUE to the NEENAH R-3498 SERIES:

- Lid mounted springs move out of the free open area, exposing the free opening.
- Spring position allows more spring rotation, thus more spring power.
- Slam-latch enables opening and closing with ease. Simply pop the lid open and slam it shut.
- Self-contained frame, lid and spring assembly pushes on itself, not external wall structures.
- Easy spring removal and replacement.
- Neenah's Perma-Grip non-skid surface.
- Optional tool-less latch release for fire hydrant or quick access applications.

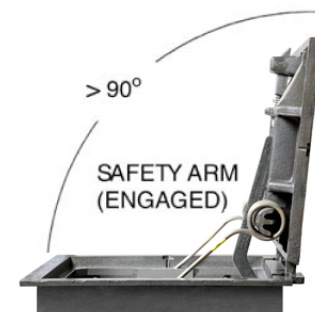


Illustrating R-3498-K2GS

Catalog No.		Dimensions in inches					Lid Weight
Solid Lid	Open Grate	A	B	C	E	F	
Square							
R-3498-K2S	R-3498-K2GS	25 3/4 x 25 3/4	1 1/2	24 x 24	30 x 30	4	251#
R-3498-P2S	R-3498-P2GS	32 x 32	1 1/2	30 x 30	36 x 36	4	358#
R-3498-R2S	R-3498-R2GS	38 3/8 x 38 3/8	1 1/2	36 x 36	42 x 42	4	471#
R-3498-T2S *		50 x 50	1 1/2	48 x 48	56 x 56	4	571# *
Rectangular							
R-3498-J3S	-	25 7/8 x 37 7/8	1 1/2	36 x 24	42 x 30	4	340#
R-3498-R3S **	R-3498-R3GS **	76 9/16 x 38 3/8	1 1/2	74 3/16 x 36	80 3/16 x 42	4	471#

* 2-piece cover
 ** with support bar

Optional threaded hole in frame for Grounding Strap - specify if required.



> 90°

SAFETY ARM (ENGAGED)