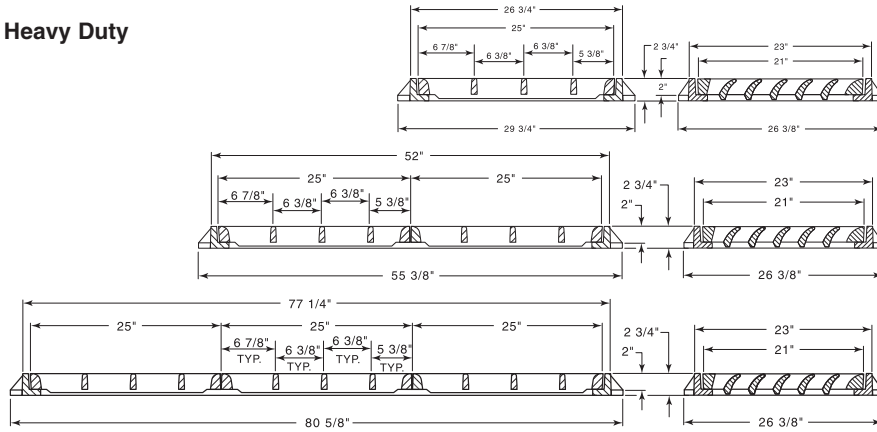


■ Note: When specifying/ordering grates, refer to "Choosing the proper inlet grate" on pages 117-118.
 For a complete listing of FREE OPEN AREAS and WEIR PERIMETERS of all NEENAH grates, refer to pages 306-311.

R-3900 Series Bridge Approach Drain Frame, Grate

Heavy Duty



Triple Unit, R-3900-D

CATALOG NUMBER	GRATE TYPE	SQ. FT. OPEN	WEIR PERIMETER LINEAL FEET
R-3900-B	L	1.9	7.7
R-3900-C	L	3.8	11.8
R-3900-D	L	5.7	16.0

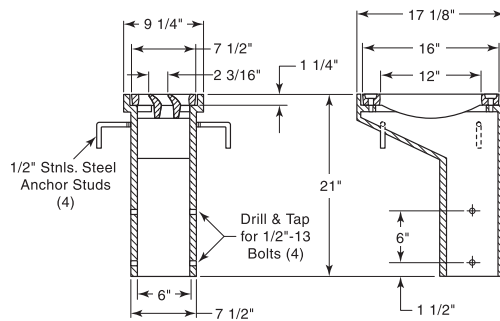
Catalog No.	Type
R-3900-B	Single Unit
R-3900-C	Double Unit
R-3900-D	Triple Unit

Grate(s) furnished in Ductile Iron grade 100-70-03.

R-3910-V Bridge Drain Frame, Grate

Heavy Duty

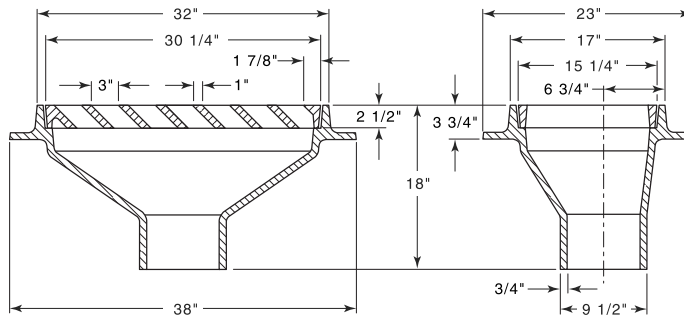
CATALOG NUMBER	GRATE TYPE	SQ. FT. OPEN	WEIR PERIMETER LINEAL FEET
R-3910-V	V	0.3	3.1



R-3918 Bridge Drain Frame, Grate

Heavy Duty

CATALOG NUMBER	GRATE TYPE	SQ. FT. OPEN	WEIR PERIMETER LINEAL FEET
R-3918	V	1.9	7.8

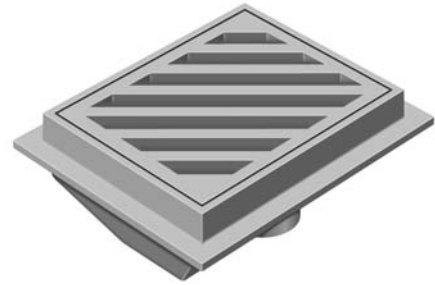
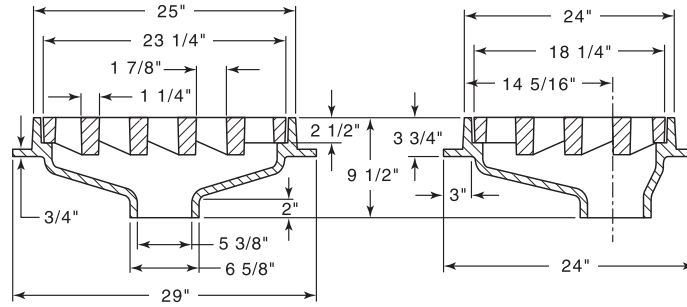


BRIDGE SUPPLIERS 6

■ Note: When specifying/ordering grates, refer to "Choosing the proper inlet grate" on pages 117-118.
 For a complete listing of FREE OPEN AREAS and WEIR PERIMETERS of all NEENAH grates, refer to pages 306-311.

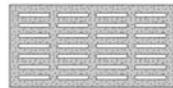
R-3919 Bridge Drain Frame, Grate

Heavy Duty



CATALOG NUMBER	GRATE TYPE	SQ. FT. OPEN	WEIR PERIMETER LINEAL FEET
R-3919	R	1.4	6.9
R-3919	Q	0.9	6.9

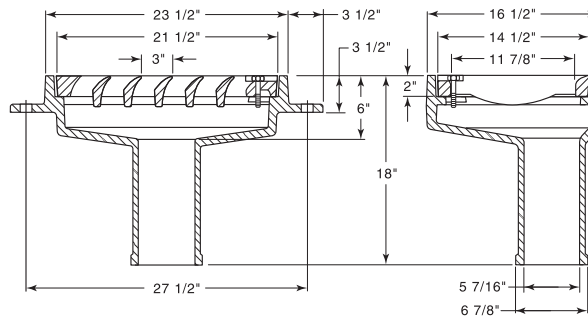
Standard Grate (shown): Type R.
 Alternate grate(s):



Type Q

R-3920-V Bridge Drain Frame, Grate

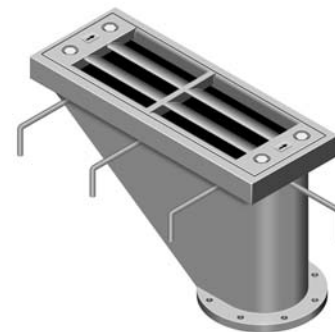
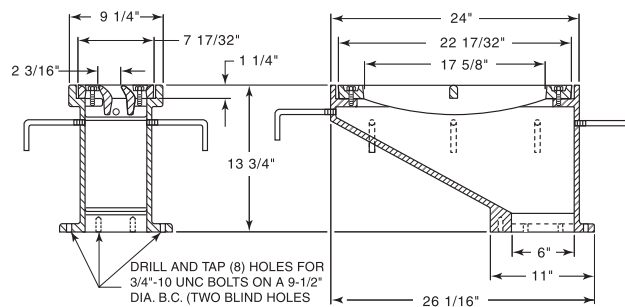
Heavy Duty



CATALOG NUMBER	GRATE TYPE	SQ. FT. OPEN	WEIR PERIMETER LINEAL FEET
R-3920-V	V	0.9	4.2

R-3921-V1 Bridge Drain Frame, Bolted Grate

Heavy Duty



CATALOG NUMBER	GRATE TYPE	SQ. FT. OPEN	WEIR PERIMETER LINEAL FEET
R-3921-V1	V	0.5	4.1
R-3921-L1	L	0.3	4.1
R-3921-B1	B	0.7	4.5

Standard 125# flanged template downspout furnished by others.

Standard Grate (shown): Type V
 Available with Type L grate, order **R-3921-L1**.
 Available with Type B grate, order **R-3921-B1**.



Type L

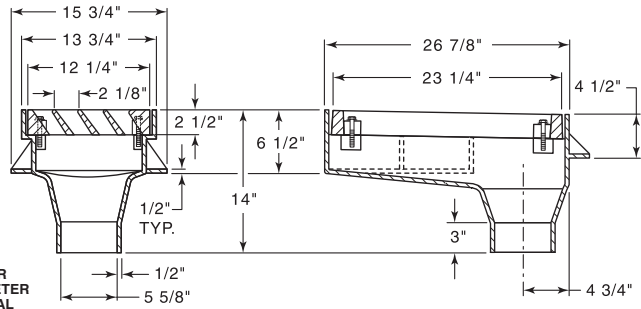


Type B

■ Note: When specifying/ordering grates, refer to "Choosing the proper inlet grate" on pages 117-118.
 For a complete listing of FREE OPEN AREAS and WEIR PERIMETERS of all NEENAH grates, refer to pages 306-311.

R-3922
Bridge Drain Frame, Bolted Grate

Heavy Duty

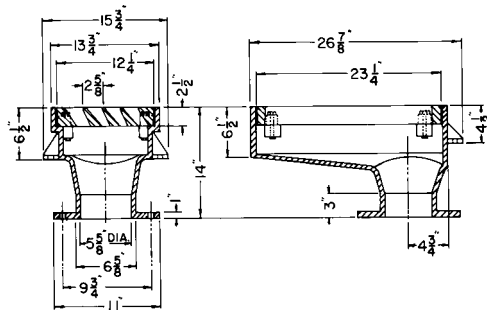


CATALOG NUMBER	GRATE TYPE	SQ. FT. OPEN	WEIR PERIMETER LINEAL FEET
R-3922	V	1.1	6.0

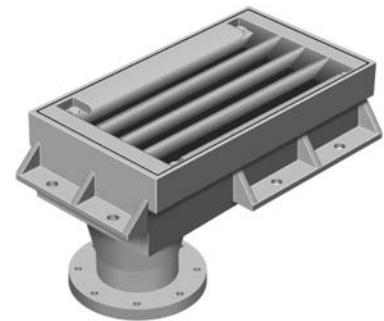


R-3922-A
Bridge Drain Frame, Bolted Grate

Heavy Duty



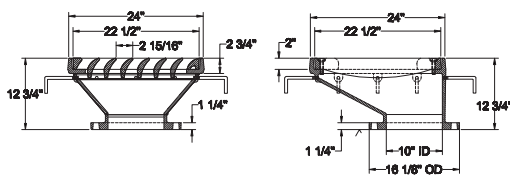
CATALOG NUMBER	GRATE TYPE	SQ. FT. OPEN	WEIR PERIMETER LINEAL FEET
R-3922-A	V	0.8	5.0



Downspout furnished by others.

R-3923
Bridge Drain Frame, Bolted Grate

Heavy Duty

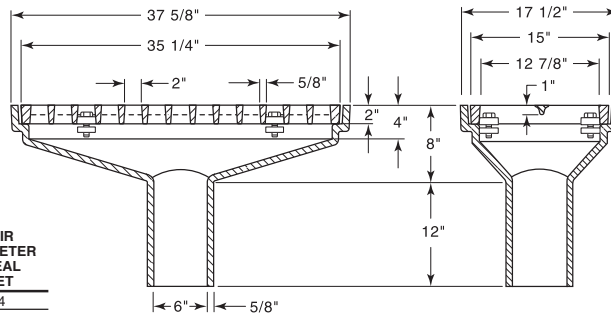


CATALOG NUMBER	GRATE TYPE	SQ. FT. OPEN	WEIR PERIMETER LINEAL FEET
R-3923	V	1.6	5.6



R-3924
Bridge Drain Frame, Bolted Grate

Heavy Duty



CATALOG NUMBER	GRATE TYPE	SQ. FT. OPEN	WEIR PERIMETER LINEAL FEET
R-3924	A	2.3	8.4



BRIDGE
SCUPPERS
6

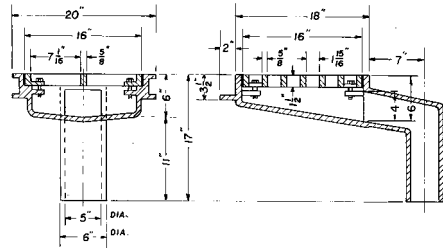
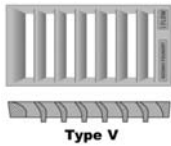
■ Note: When specifying/ordering grates, refer to "Choosing the proper inlet grate" on pages 117-118.
 For a complete listing of FREE OPEN AREAS and WEIR PERIMETERS of all NEENAH grates, refer to pages 306-311.

R-3935 Offset Roadway Scupper, Bolted Grate

Heavy Duty

CATALOG NUMBER	GRATE TYPE	SQ. FT. OPEN	WEIR PERIMETER LINEAL FEET
R-3935	A or C	0.6	5.3
R-3935	V	1.5	5.3

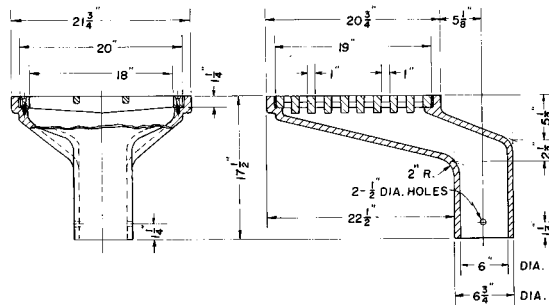
Standard Grate (shown): Type C
 Alternate grate(s):



R-3936-A Offset Roadway Scupper, Bolted Grate

Heavy Duty

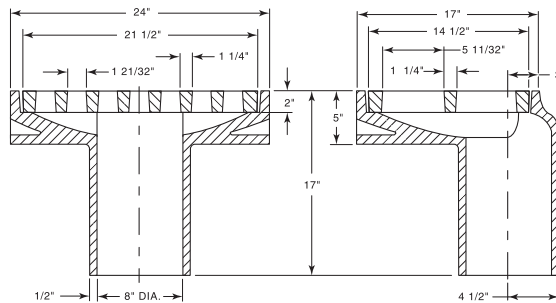
CATALOG NUMBER	GRATE TYPE	SQ. FT. OPEN	WEIR PERIMETER LINEAL FEET
R-3936-A	C	1.0	6.5



R-3940 Offset Roadway Scupper

Heavy Duty

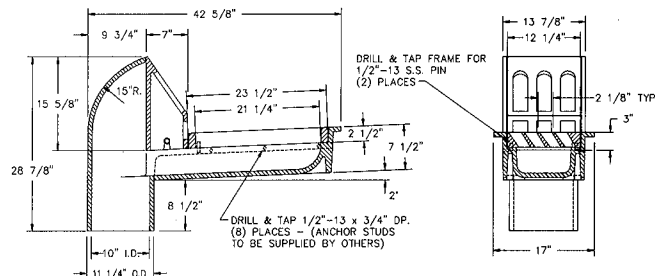
CATALOG NUMBER	GRATE TYPE	SQ. FT. OPEN	WEIR PERIMETER LINEAL FEET
R-3940	A	1.0	6.1



R-3942 Bridge Scupper

Heavy Duty

CATALOG NUMBER	GRATE TYPE	SQ. FT. OPEN	WEIR PERIMETER LINEAL FEET
R-3942	V	0.8	5.1



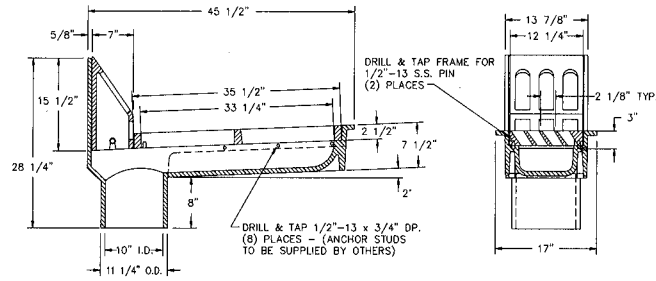
Grate in ductile iron.

BRIDGE SCUPPERS 6

■ Note: When specifying/ordering grates, refer to "Choosing the proper inlet grate" on pages 117-118.
 For a complete listing of FREE OPEN AREAS and WEIR PERIMETERS of all NEENAH grates, refer to pages 306-311.

R-3943 Bridge Scupper

Heavy Duty

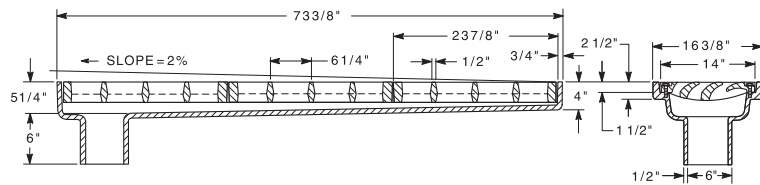


CATALOG NUMBER	GRATE TYPE	SQ. FT. OPEN	WEIR PERIMETER LINEAL FEET
R-3943	V	1.2	6.9

Grate in ductile iron.

R-3945 Bridge Scupper, Bolted Grates

Heavy Duty

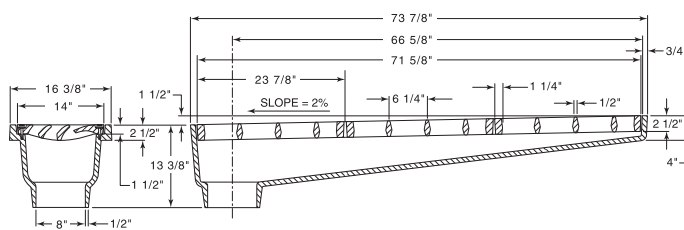


CATALOG NUMBER	GRATE TYPE	SQ. FT. OPEN	WEIR PERIMETER LINEAL FEET
R-3945	L	2.4	13.0

Specify: Spigot Outlet 6" or 8" Inside Diameter.

R-3945-A Bridge Scupper, Bolted Grates +2% Slope

Heavy Duty

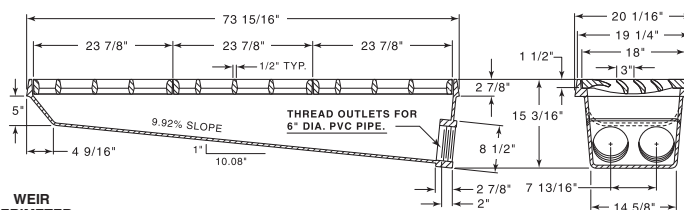


CATALOG NUMBER	GRATE TYPE	SQ. FT. OPEN	WEIR PERIMETER LINEAL FEET
R-3945-A	L	2.4	13.0
R-3945-2	L	2.4	13.0
R-3945-8	L	2.4	13.0

Available with -2% and -8% slope. Order as: R-3945-2, R-3945-8.

R-3946 Bridge Scupper, Bolted Grates

Heavy Duty



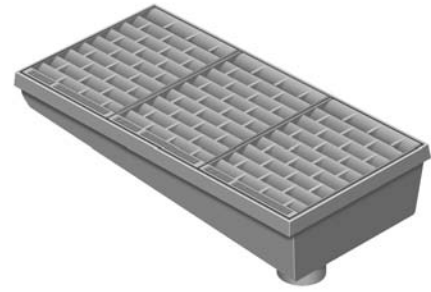
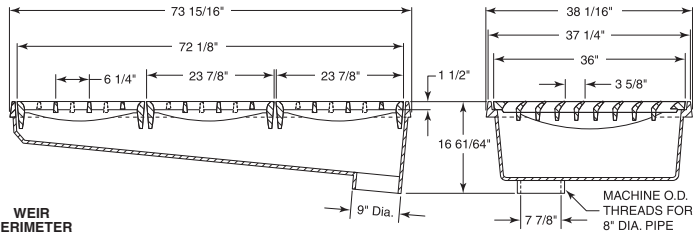
CATALOG NUMBER	GRATE TYPE	SQ. FT. OPEN	WEIR PERIMETER LINEAL FEET
R-3946	L	2.9	13.5

6 BRIDGE SCUPPERS

■ Note: When specifying/ordering grates, refer to "Choosing the proper inlet grate" on pages 117-118.
 For a complete listing of FREE OPEN AREAS and WEIR PERIMETERS of all NEENAH grates, refer to pages 306-311.

R-3946-A Bridge Scupper, Bolted Grates

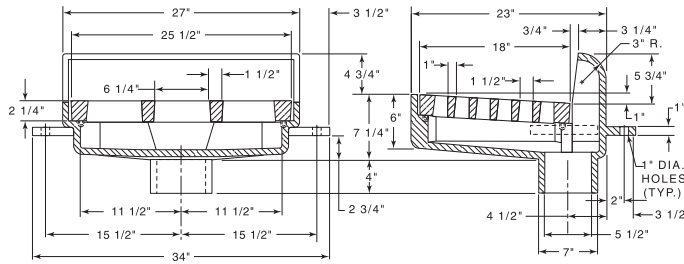
Heavy Duty



CATALOG NUMBER	GRATE TYPE	SQ. FT. OPEN	WEIR PERIMETER LINEAL FEET
R-3946-A	L	9.2	15.0

R-3948-A Bridge Scupper, Bolted Gate

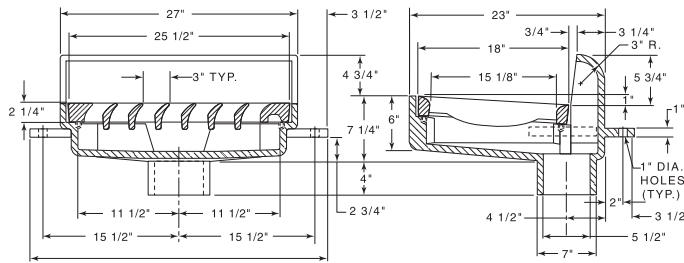
Heavy Duty



CATALOG NUMBER	GRATE TYPE	SQ. FT. OPEN	WEIR PERIMETER LINEAL FEET
R-3948-A	C	1.1	5.1

R-3948-V Bridge Scupper, Bolted Gate

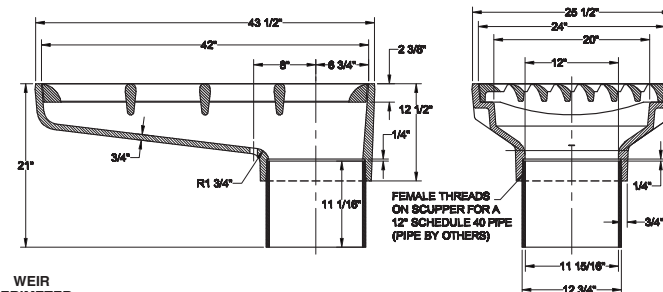
Heavy Duty



CATALOG NUMBER	GRATE TYPE	SQ. FT. OPEN	WEIR PERIMETER LINEAL FEET
R-3948-V	V	1.5	5.1

R-3949-A Bridge Scupper, Bolted Gate

Heavy Duty



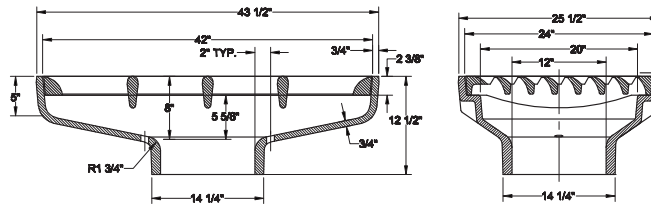
CATALOG NUMBER	GRATE TYPE	SQ. FT. OPEN	WEIR PERIMETER LINEAL FEET
R-3949-A	L	2.5	8.9

BRIDGE SCUPPERS 6

■ Note: When specifying/ordering grates, refer to "Choosing the proper inlet grate" on pages 117-118.
 For a complete listing of FREE OPEN AREAS and WEIR PERIMETERS of all NEENAH grates, refer to pages 306-311.

R-3949-B
Bridge Scupper, Bolted Grate

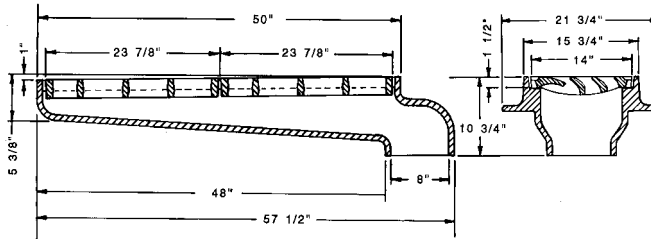
Heavy Duty



CATALOG NUMBER	GRATE TYPE	SQ. FT. OPEN	WEIR PERIMETER LINEAL FEET
R-3949-B	L	2.5	8.9

R-3951
Bridge Scupper, Bolted Grates

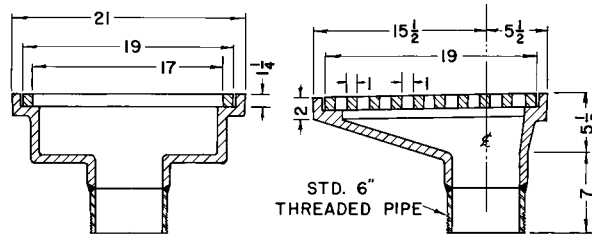
Heavy Duty



CATALOG NUMBER	GRATE TYPE	SQ. FT. OPEN	WEIR PERIMETER LINEAL FEET
R-3951	L	1.6	9.0

R-3952
Bridge Scupper

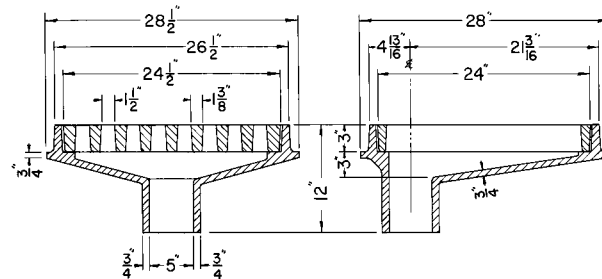
Heavy Duty



CATALOG NUMBER	GRATE TYPE	SQ. FT. OPEN	WEIR PERIMETER LINEAL FEET
R-3952	B or D	1.1	6.3

R-3954
Bridge Scupper

Heavy Duty



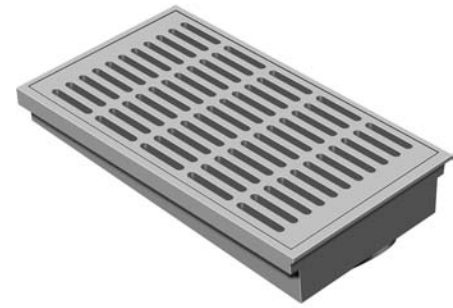
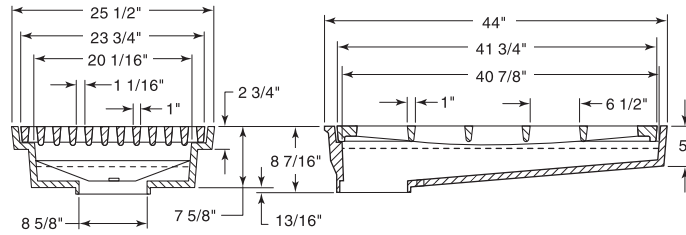
CATALOG NUMBER	GRATE TYPE	SQ. FT. OPEN	WEIR PERIMETER LINEAL FEET
R-3954	B	1.8	8.1

6 BRIDGE SCUPPERS

■ Note: When specifying/ordering grates, refer to "Choosing the proper inlet grate" on pages 117-118.
 For a complete listing of FREE OPEN AREAS and WEIR PERIMETERS of all NEENAH grates, refer to pages 306-311.

R-3955
Bridge Scupper

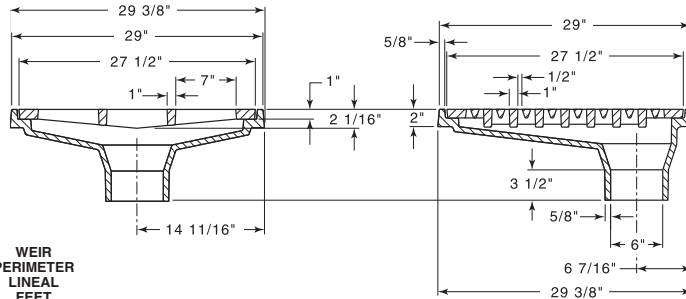
Heavy Duty



CATALOG NUMBER	GRATE TYPE	SQ. FT. OPEN	WEIR PERIMETER LINEAL FEET
R-3955	C	2.6	8.9

R-3956
Bridge Scupper

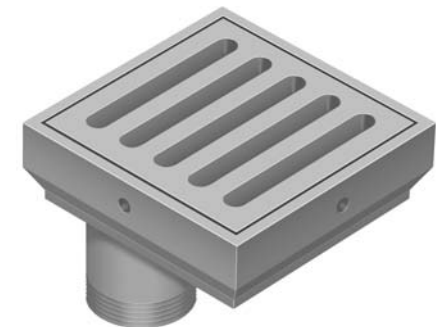
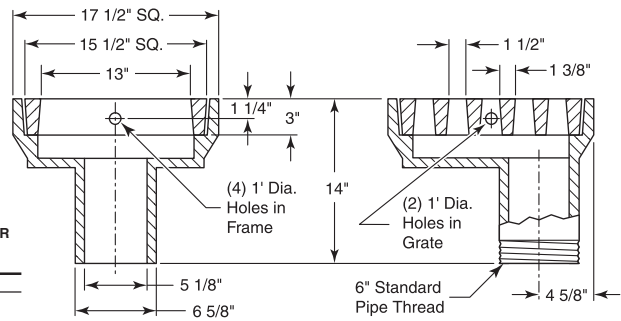
Heavy Duty



CATALOG NUMBER	GRATE TYPE	SQ. FT. OPEN	WEIR PERIMETER LINEAL FEET
R-3956	Q	1.2	6.9

R-3961
Bridge Drain

Heavy Duty

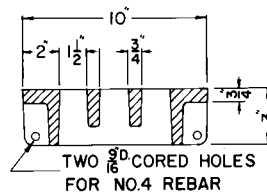


CATALOG NUMBER	GRATE TYPE	SQ. FT. OPEN	WEIR PERIMETER LINEAL FEET
R-3961	D	0.7	5.2

Note weep holes on each side of frame.

R-3976
Bridge Drain Grate

Heavy Duty



CATALOG NUMBER	GRATE TYPE	SQ. FT. OPEN	WEIR PERIMETER LINEAL FEET
R-3976	B	0.2	3.3

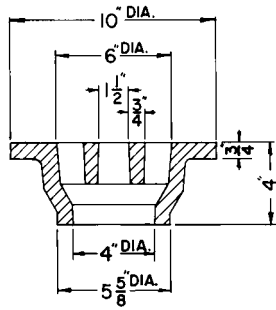
BRIDGE SCUPPERS 6

■ Note: When specifying/ordering grates, refer to "Choosing the proper inlet grate" on pages 117-118.
 For a complete listing of FREE OPEN AREAS and WEIR PERIMETERS of all NEENAH grates, refer to pages 306-311.

R-3977
Bridge Drain Grate

Heavy Duty

CATALOG NUMBER	GRATE TYPE	SQ. FT. OPEN	WEIR PERIMETER LINEAL FEET
R-3977	B	0.1	2.6

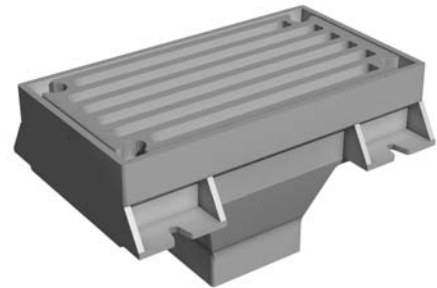
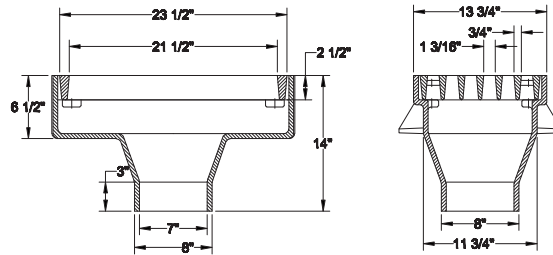


Cored #4 rebar anchors.

R-3978
Bridge Drain Grate

Heavy Duty

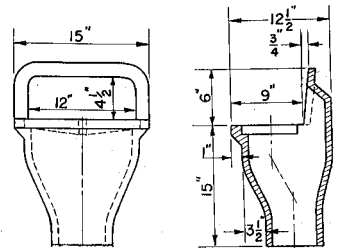
CATALOG NUMBER	GRATE TYPE	SQ. FT. OPEN	WEIR PERIMETER LINEAL FEET
R-3978	D	1.0	4.0



R-4001-B
Bridge Drain

Heavy Duty

CATALOG NUMBER	GRATE TYPE	SQ. FT. OPEN	WEIR PERIMETER LINEAL FEET
R-4001-B	C	0.3	2.5
R-4001-B	P	0.1	2.5



Standard Grate (shown): Type C
 Alternate grate(s):

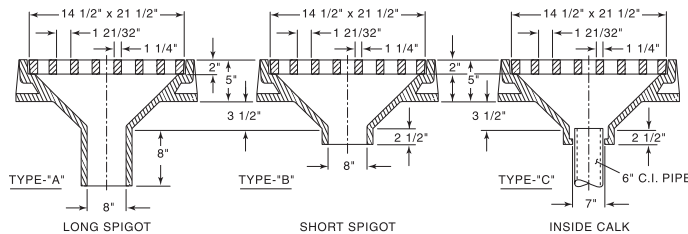


Type P

GRATE SIZE $8\frac{1}{8} \times 13\frac{15}{16} \times 1"$

R-4003 Series
Roadway Drain

Heavy Duty



Suited for use on elevated highways. Sloping basin provides self-cleaning and eliminates clogging.

CATALOG NUMBER	GRATE TYPE	SQ. FT. OPEN	WEIR PERIMETER LINEAL FEET
R-4003-A	A	0.9	6.1
R-4003-B	A	0.9	6.1
R-4003-C	A	0.9	6.1

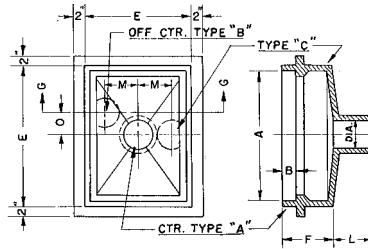
Catalog No.	Type
R-4003-A	Type A, Long Spigot
R-4003-B	Type B, Short Spigot
R-4003-C	Type C, Inside Caulk

■ Note: When specifying/ordering grates, refer to "Choosing the proper inlet grate" on pages 117-118.
 For a complete listing of FREE OPEN AREAS and WEIR PERIMETERS of all NEENAH grates, refer to pages 306-311.

R-4004 Series Scupper Frame, Grate

Heavy Duty

CATALOG NUMBER	GRATE TYPE	SQ. FT. OPEN	WEIR PERIMETER LINEAL FEET
R-4004-A	C	1.3	6.8
R-4004-B	B	1.5	7.4
R-4004-C	B	1.5	7.4
R-4004-G1	B or D	1.9	7.3



Spigot variations adapted to facilitate placement on overhead or bridge superstructures.

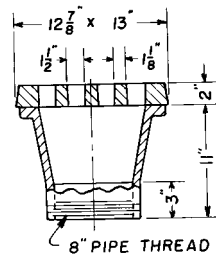
Catalog No.	Dimensions in inches								Spigot Type
	A	B	E	F	L	Dia.	O	M	
R-4004-A	17 1/4 x 23 3/4	2	19 1/2 x 26	6 3/4	5 1/4	8	-	-	A
R-4004-B	20 3/8 x 23 3/4	2	22 5/8 x 26	6 3/4	5 1/4	8	5	6 5/16	B
R-4004-C	20 3/8 x 23 3/4	2	22 5/8 x 26	6 3/4	5 1/4	8	-	6 5/16	C
R-4004-G1 *	22 x 22	1 3/4	24 1/4 x 24 1/4	7	3 3/4	8	-	5	C

* Inside caulk

R-4005-A2 Scupper Frame, Grate

Heavy Duty

CATALOG NUMBER	GRATE TYPE	SQ. FT. OPEN	WEIR PERIMETER LINEAL FEET
R-4005-A2	B	0.4	4.3

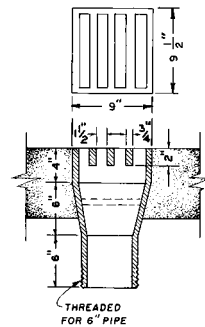


BRIDGE
SCUPPERS
6

R-4006 Bridge Scupper

Heavy Duty

CATALOG NUMBER	GRATE TYPE	SQ. FT. OPEN	WEIR PERIMETER LINEAL FEET
R-4006	D	0.3	3.1



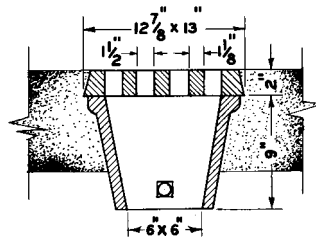
Integral cast bars.

■ Note: When specifying/ordering grates, refer to "Choosing the proper inlet grate" on pages 117-118.
 For a complete listing of FREE OPEN AREAS and WEIR PERIMETERS of all NEENAH grates, refer to pages 306-311.

R-4007 Bridge Scupper

Heavy Duty

CATALOG NUMBER	GRATE TYPE	SQ. FT. OPEN	WEIR PERIMETER LINEAL FEET
R-4007	B	0.4	4.3

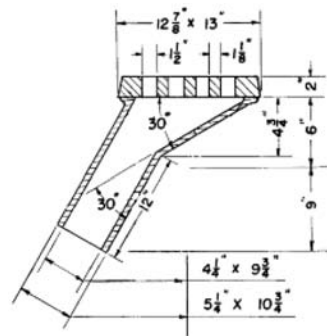


Note bolt for fastening to square trough extension.

R-4007-A6 Bridge Scupper

Heavy Duty

CATALOG NUMBER	GRATE TYPE	SQ. FT. OPEN	WEIR PERIMETER LINEAL FEET
R-4007-A6	B	0.4	4.3

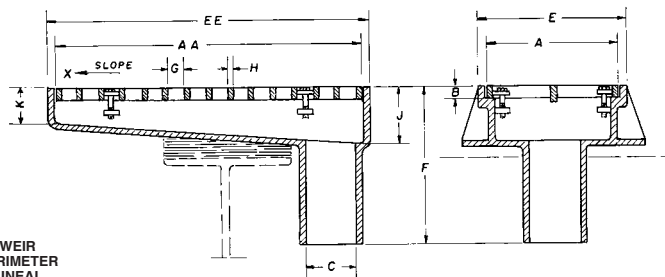


6 BRIDGE SCUPPERS

R-4014 Series Overhead Scupper Drain, Bolted Grate

Heavy Duty

CATALOG NUMBER	GRATE TYPE	SQ. FT. OPEN	WEIR PERIMETER LINEAL FEET
R-4014-B1	A	2.8	9.7
R-4014-B1	C	1.3	9.7
R-4014-C1	A	2.3	8.4
R-4014-C2	A	2.4	8.4



Side bolting flanges for fastening to superstructure. Variation in elevation is accomplished by use of shims or adjusting bolts.
 Standard Grate (shown): Type A

Catalog No.	Dimensions in inches											Slope
	A	AA	B	C	E	EE	F	G	H	J	K	
R-4014-B1 *	15	43 1/8	1 1/2	6	17 1/2	45 1/8	9 1/4	2 x 6 1/2	5/8	6 1/2	4	x = 3/16"
R-4014-C1	15	35 5/8	1 1/2	6	17 1/2	37 5/8	11	1 7/8 x 6 1/2	5/8	6 1/2	4	x = 9/16"
R-4014-C2	15	35 5/8	1 1/2	8	17 1/2	37 5/8	11	1 7/8 x 6 1/2	5/8	6 1/2	4	x = 9/16"

* Available with Type C grate.

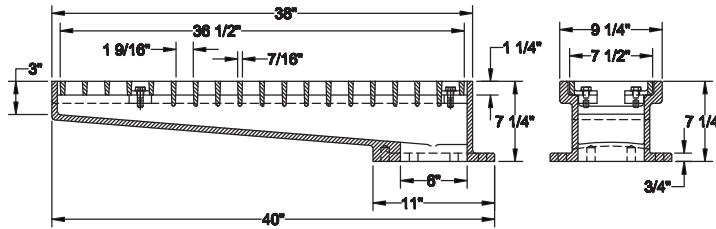


Type C

■ Note: When specifying/ordering grates, refer to "Choosing the proper inlet grate" on pages 117-118.
 For a complete listing of FREE OPEN AREAS and WEIR PERIMETERS of all NEENAH grates, refer to pages 306-311.

R-4014-T Overhead Scupper Drain, Bolted Grate

Heavy Duty

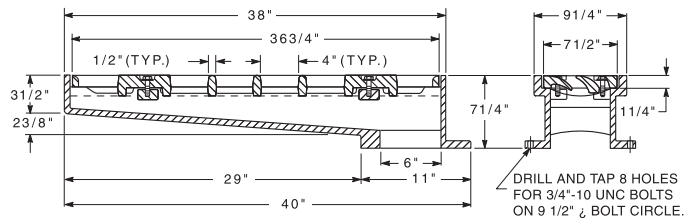


CATALOG NUMBER	GRATE TYPE	SQ. FT. OPEN	WEIR PERIMETER LINEAL FEET
R-4014-T	B	1.2	7.3

Standard 125# flanged template downspout furnished by others.

R-4014-TL Overhead Scupper Drain, Bolted Grate

Heavy Duty



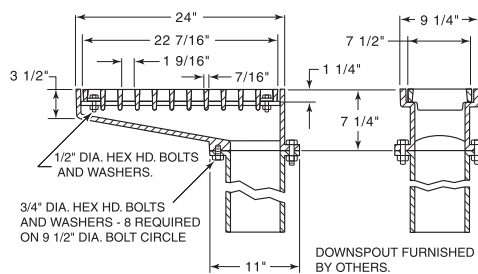
CATALOG NUMBER	GRATE TYPE	SQ. FT. OPEN	WEIR PERIMETER LINEAL FEET
R-4014-TL	L	0.5	7.3

Standard 125# flanged template downspout furnished by others.

R-4014-T2 Overhead Scupper Drain, Bolted Grate

Heavy Duty

CATALOG NUMBER	GRATE TYPE	SQ. FT. OPEN	WEIR PERIMETER LINEAL FEET
R-4014-T2	B	0.7	4.5
R-4014-T2L	L	0.3	4.1
R-4014-T2V	V	0.3	4.1



Standard 125# flanged template downspout furnished by others.

Standard Grate (shown): Type B

Available with Type L grate, order **R-4014-T2L**

Available with Type V grate, order **R-4014-T2V**.



Type L

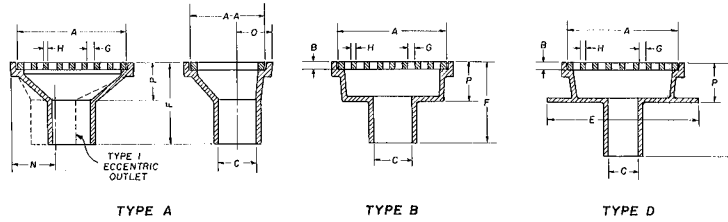


Type V

■ Note: When specifying/ordering grates, refer to "Choosing the proper inlet grate" on pages 117-118.
 For a complete listing of FREE OPEN AREAS and WEIR PERIMETERS of all NEENAH grates, refer to pages 306-311.

R-4015 to R-4016 Series Roadway and Deck Drain

Heavy Duty



Illustrating R-4015-A

CATALOG NUMBER	GRATE TYPE	SQ. FT. OPEN	WEIR PERIMETER LINEAL FEET
R-4015-A	B	0.2	3.6
R-4015-A	P	0.1	3.6
R-4015-A1	B	0.2	3.6
R-4015-B	C	0.4	3.6
R-4015-C	B	0.3	3.6
R-4015-D	B	0.2	3.6
R-4015-D	P	0.1	3.6
R-4016-B	C	0.5	4.8
R-4016-H1	A	0.6	5.3
R-4016-K	B or D	1.0	6.3

For use on decks of elevated parking garages, access ramps, roadways, and viaducts.

Catalog No.	Dimensions in inches										Spigot Type
	A	AA	B	C	E	F	G	H	O	P	
R-4015-A	11	9	1	4	-	12 1/2	1 x 7	1	3 5/8	5 1/2	A
R-4015-A1 ***	11	9	1	4	-	16 1/2	1 x 7	1	3 5/8	5 1/2	A
R-4015-B	11	9	1	4	-	12 1/2	1 1/2 x 4	1 1/8	3 5/8	5 1/2	A
R-4015-B1	11	9	1	4	-	20	1 1/2 x 4	1 1/8	3 5/8	5 1/2	A
R-4015-C	11	9	1	5	-	10 5/8	1 x 7	1	-	5 5/8	B
R-4015-D	11	9	1	5	16 1/2 x 18 1/2	14	1 x 7	1	-	6 1/8	D
R-4016-B	17	12	1 1/4	6	-	12 1/2	1 1/8 x 4 1/4	1 1/8	5 3/8	6	A
R-4016-H1 **	13	19	1 1/4	6	-	12 1/2	1 x 5 3/16	1	5 3/8	5 1/2	1
R-4016-K *	19	19	1 1/4	6	-	12 1/2	1 x 17	1	5 3/8	5 1/2	A

* 2" adjusting ring available, see R-1979 Series.
 ** Type 1 eccentric outlet furnished only on R-4016-H1. N = 5-3/8"
 *** Outlet adapted for 6" inside pipe tap (6" internal NPT).

R-4015-A & R-4015-D are also available with grate Type P.

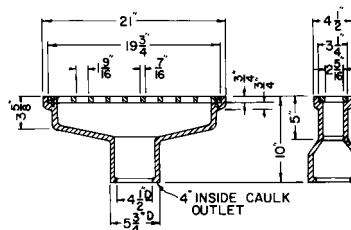


Type P

R-4018 Parking Garage Drain

Heavy Duty

CATALOG NUMBER	GRATE TYPE	SQ. FT. OPEN	WEIR PERIMETER LINEAL FEET
R-4018	B	0.2	3.8



Grate furnished in ductile iron.